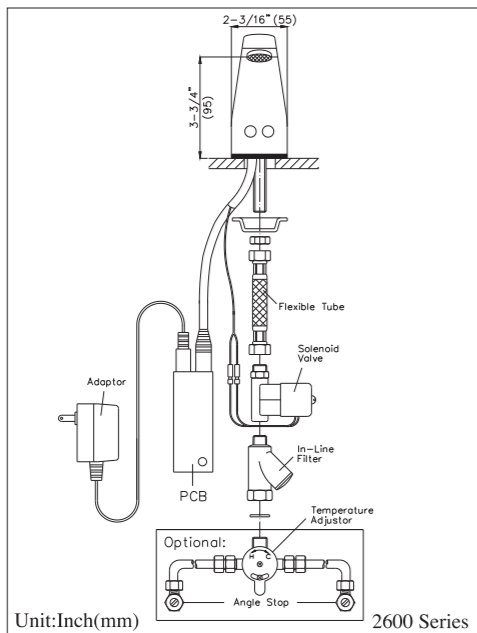
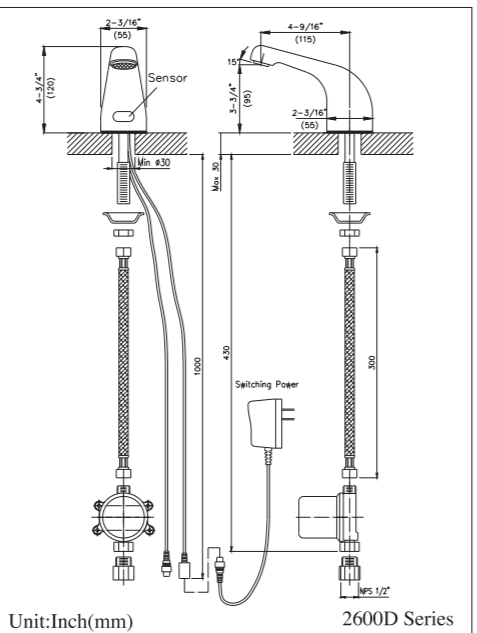


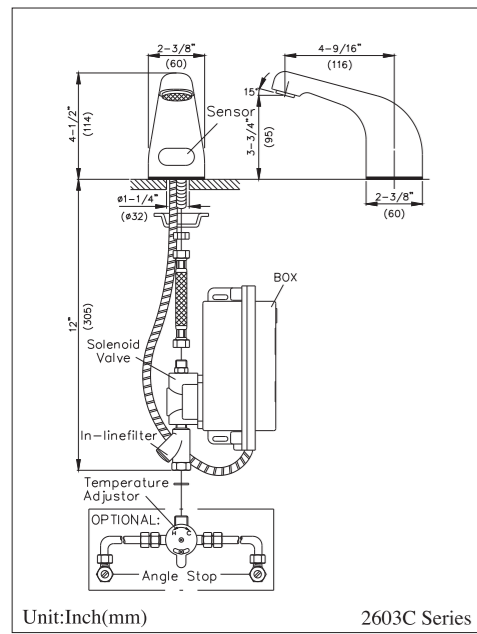
Unit:Inch(mm) 1000 Series



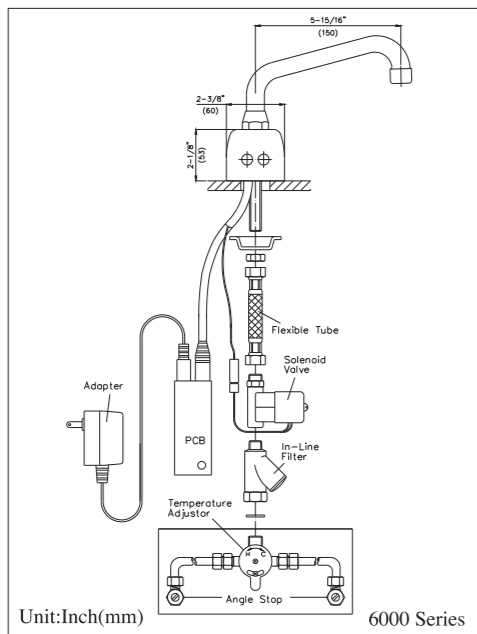
Unit:Inch(mm) 2600 Series



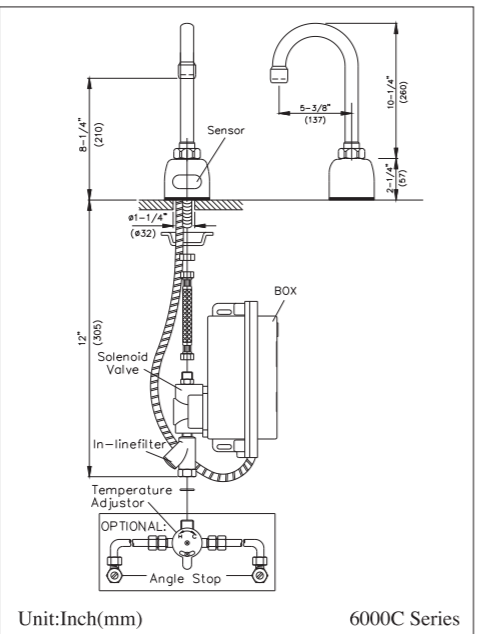
Unit:Inch(mm) 2600D Series



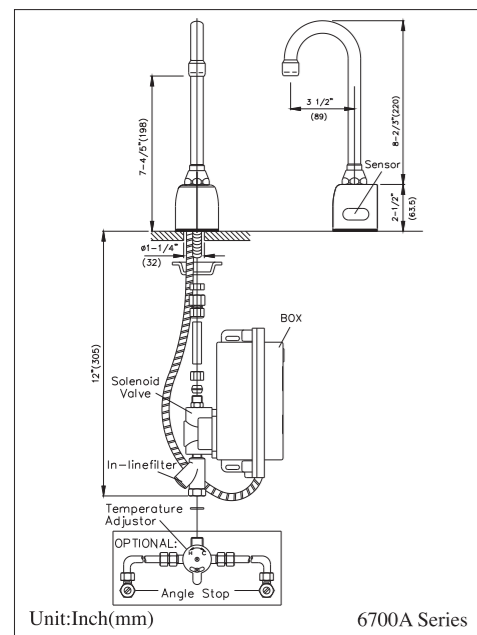
Unit:Inch(mm) 2603C Series



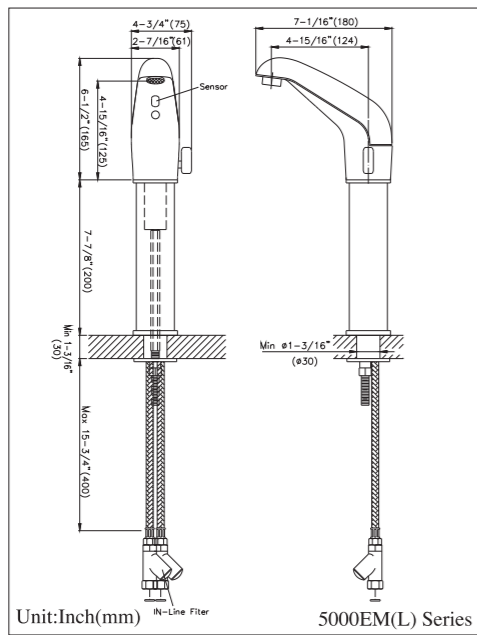
Unit:Inch(mm) 6000 Series



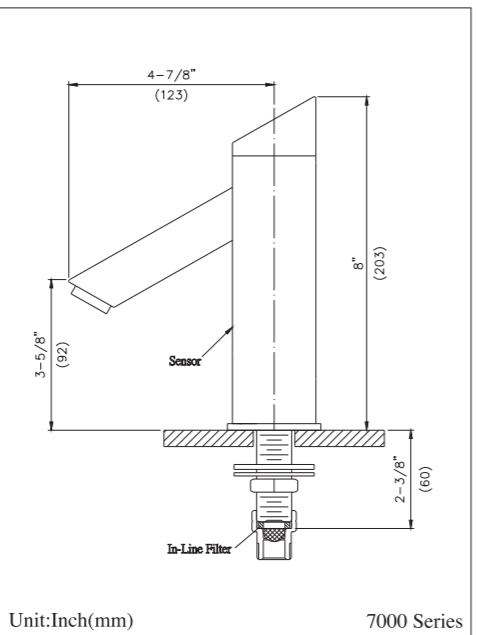
Unit:Inch(mm) 6000C Series



Unit:Inch(mm) 6700A Series



Unit:Inch(mm) 5000EM(L) Series



Unit:Inch(mm) 7000 Series

OPTIONAL PARTS



Flow Control

1. Variable Water Stream
2. 1.5 GPM
3. 2.2GPM
4. 0.5GPM....etc.



Temperature Adjustor

- HC-001D-A Temperature Adjustor
- HC-001D-C T-Mixing Valve



Cover Plate

- HC-006D-E 4" Cover Plate
- HC-007D-E 8" Cover Plate



Gooseneck Spout

- HC-016D-A 6" Spout
- HC-020D-A 150m/m Spout ●HC-018D-A 6"x8" Spout
- HC-021D-A 200m/m Spout ●HC-019D-A 6"x3½" Spout



Power Transformer

- HC-028B AC 120V/DC12V, 3A Adaptor
- HC-028C AC 120V/DC12V, 1.5A Adaptor
- HC-028D AC 100V-240V/DC 7.5V, 3A Adaptor



Hydrotek HYDROTEK CORPORATION

3, Gong-Yeh N.3 Road, Nankang Ind. Park, Nan-Tou, Taiwan, R. O. C.
 TEL: 886-49-2254611 FAX: 886-49-2254653
 http://www.hydrotek.com.tw E-mail: sales@hydrotek.com.tw

ELECTRONIC COMPONENTS



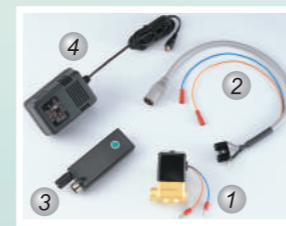
HB-012F ABS/IP66 Plastic Control Box

- w/PCB, Solenoid Valve, Filter, AA Alkaline Batteries
- PC-006-27 Sensor Assembly
 - HC-012-07E AC 120V/DC 12V, 800mA Adaptor



1. 01118002 Solenoid Valve

2. 02220002(4)AA Alkaline Batteries
3. 02118005 P.C.Board and Sensor Assembly
4. 02208008 AC 120V-240V, 60Hz, DC 7.5V 800mA Adaptor



1. HC-005A Solenoid Valve

2. PC-006-01C Sensor Assembly
3. PC-008-01B P.C.Board
4. HC-012-07G AC 120V/DC 12V, 800mA Adaptor



PC-010 7"x7" Cover Plate Assembly

w/PCB, Sensor

AUTOMATIC-SENSOR OPERATED FAUCETS AND FLUSH VALVES

ISO 9001

Hydrotek

HYDROTEK CORPORATION